

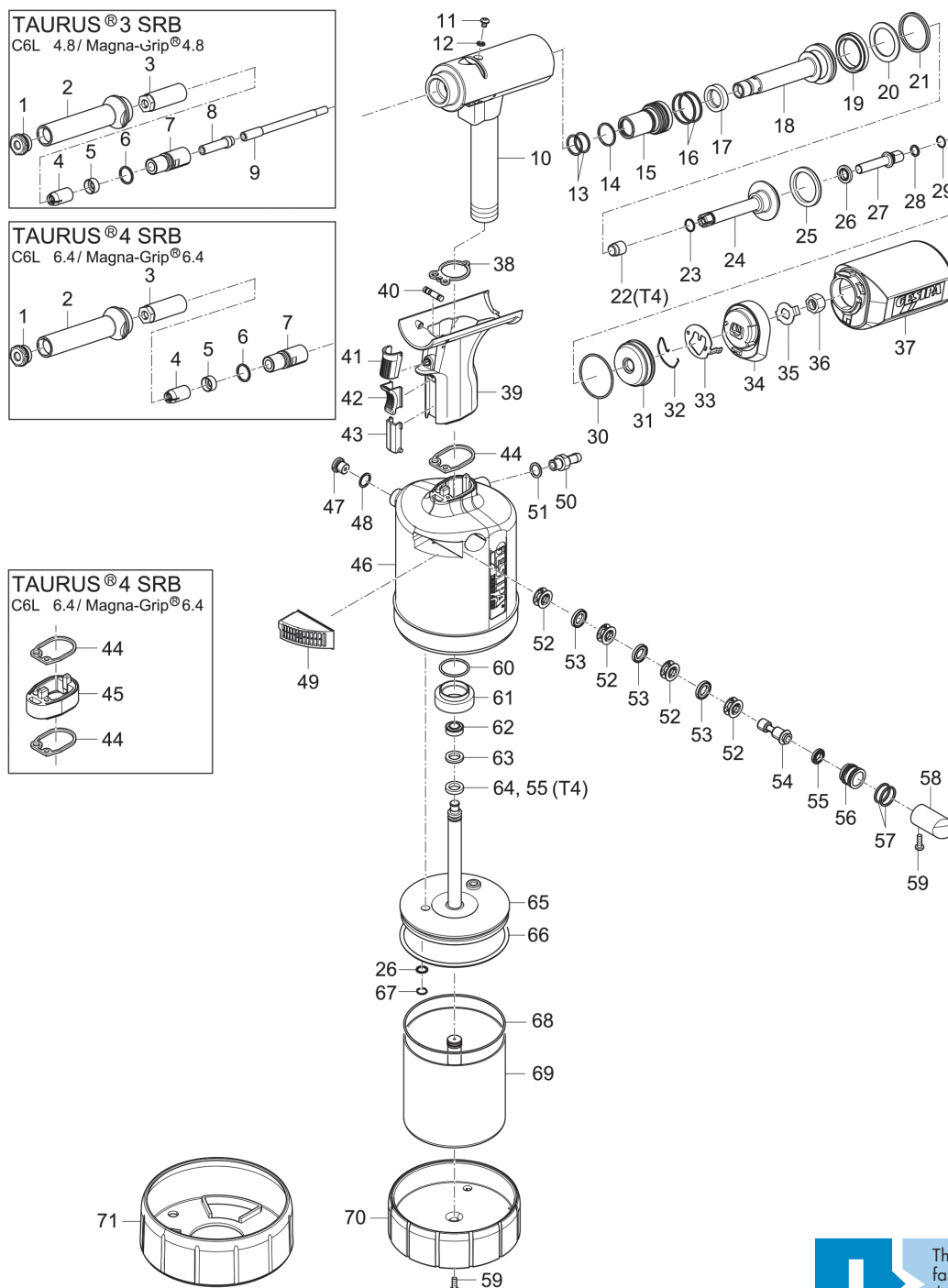
# LOCKBOLT SETTING TOOLS

## TAURUS® 3 SRB

for 4,8mm (3/16") C6L and Magna-Grip® lockbolts

## TAURUS® 4 SRB

for 6,4mm (1/4") C6L and Magna-Grip® lockbolts



**!** The suitability of nosepiece and fastener needs to be tested by the user and is user's own responsibility!

# LOCKBOLT SETTING TOOLS

## TAURUS® 3 SRB

for 4,8mm (3/16") C6L and Magna-Grip® lockbolts

## TAURUS® 4 SRB

for 6,4mm (1/4") C6L and Magna-Grip® lockbolts

		No.	
1 •	<b>T3</b>	143 4809	Nosepiece C6L
		143 4810	Nosepiece Magna-Grip®
	<b>T4</b>	143 5993	Nosepiece C6L
		143 5942	Nosepiece Magna-Grip®
2		143 5923	Steel head sleeve
3	<b>T3</b>	143 5944	Clamping jaw housing C6L
		143 5945	Clamping jaw housing Magna-Grip®
	<b>T4</b>	143 5997	Clamping jaw housing
4 •	<b>T3</b>	144 6117	Clamping jaw C6L
		144 6118	Clamping jaw Magna-Grip®
	<b>T4</b>	144 6116	Clamping jaw C6L
		144 6105	Clamping jaw Magna-Grip®
5		143 5943	Supporting ring C6L
	<b>T4</b>	143 5995	Supporting ring Magna-Grip®
6		143 6042	O-ring
7		143 5924	Adapter
8	<b>T3</b>	143 5920	Sleeve
9	<b>T3</b>	143 5886	Nozzle tube 3, longe
10	<b>T3</b>	145 7856	Tool head 2, assembled
	<b>T4</b>	145 7992	Tool head 4, assembled
11		144 6013	Oil screw plug
12		143 5612	Sealing ring M4
13		144 6012	O-ring
14		143 5629	O-ring
15		143 5681	Seal holder, complete
16 •		143 4227	O-ring
17		143 5630	Rod seal
18		143 5631	Draw bar
19		143 5632	Piston seal
20		143 5488	Supporting ring
21		143 5485	Piston seal
22	<b>T4</b>	145 0965	Spacer sleeve
23		143 5671	O-ring
24		145 7746	Resetting piston, complete
25		143 5633	Piston seal
26		143 5635	Rod seal
27		143 5765	Connecting piece 2/3
28		143 5519	O-ring
29		144 6167	Snap ring
30		143 5524	O-ring
31		143 5532	End cap
32		144 6028	Retaining spring
33		143 5664	Retainer
34		143 5663	Adapter
35		143 5842	Lock washer
36		143 5766	Connecting piece nut 2/3
37		143 5964	Spent mandrel container, complete
38		143 5472	Flat gasket 1
39		145 7748	Grip, complete
40		145 7747	Distributing valve, complete
41		144 6025	Activation button
42		143 5642	Slider
43		143 5686	Orifice
44		143 5480	Flat gasket 2

		No.	
45	<b>T4</b>	143 5998	Grip extension
46	<b>T3</b>	145 0960	Air cylinder 3, complete
	<b>T4</b>	145 0996	Air cylinder 4, complete
47		145 7750	Pressure relief valve, complete
48		143 5484	O-ring
49		145 7956	Silencer 3, complete
50		143 5667	Connecting nipple
51		144 6030	Sealing ring
52		143 5648	Spacer cage
53		143 5647	Rod seal
54		143 5651	Control piston
55		143 5675	Piston seal
56		143 5652	Piston housing
57		143 5688	O-ring
58		144 6100	Stopper 3
59		144 5773	Housing screw short
60		143 5486	O-ring
61		143 5492	Al nut
62	<b>T3</b>	143 5841	Piston seal
	<b>T4</b>	143 6007	Piston seal
63	<b>T3</b>	143 5825	Guide ring 2
	<b>T4</b>	143 6006	Guide ring 4
64	<b>T3</b>	143 5670	Piston seal
65	<b>T3</b>	145 7952	Air piston 3, complete
	<b>T4</b>	145 7994	Air piston 4, complete
66		143 5937	O-ring
67		144 6082	V profile ring
68		143 5927	O-ring
69	<b>T3</b>	145 7953	Cylinder 3, complete
	<b>T4</b>	145 7995	Cylinder 4, complete
70		143 5874	Bottom 3
71		143 5900	Rubber foot 3 - 4
		144 5294	Hydraulic oil refill bottle, 100 ml

• Wearing parts



The suitability of nosepiece and fastener needs to be tested by the user and is user's own responsibility!