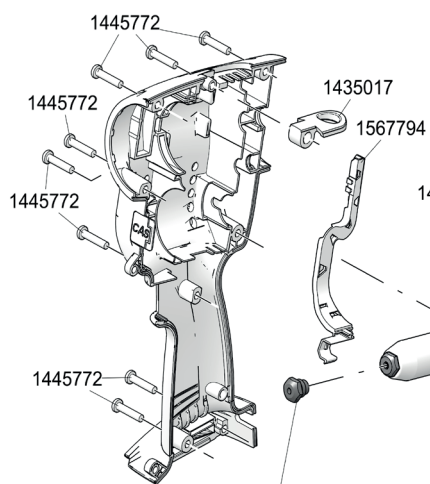
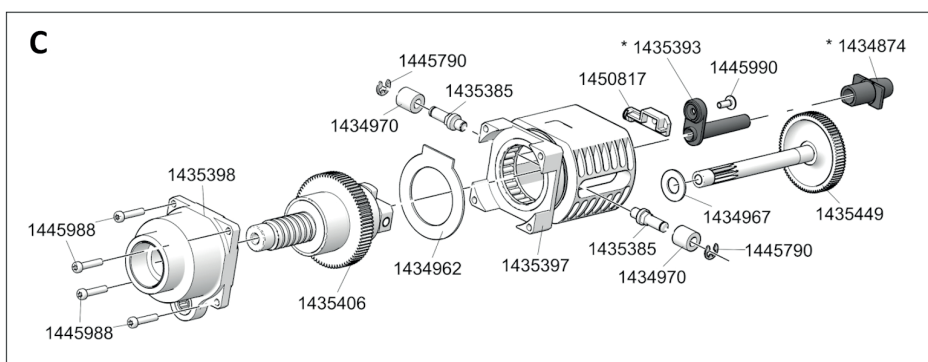
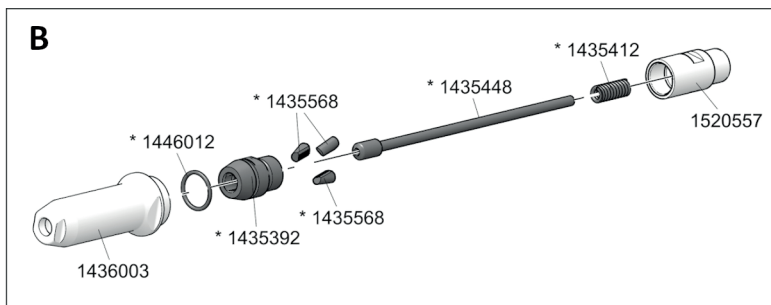
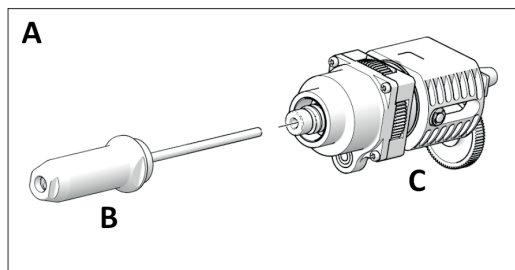
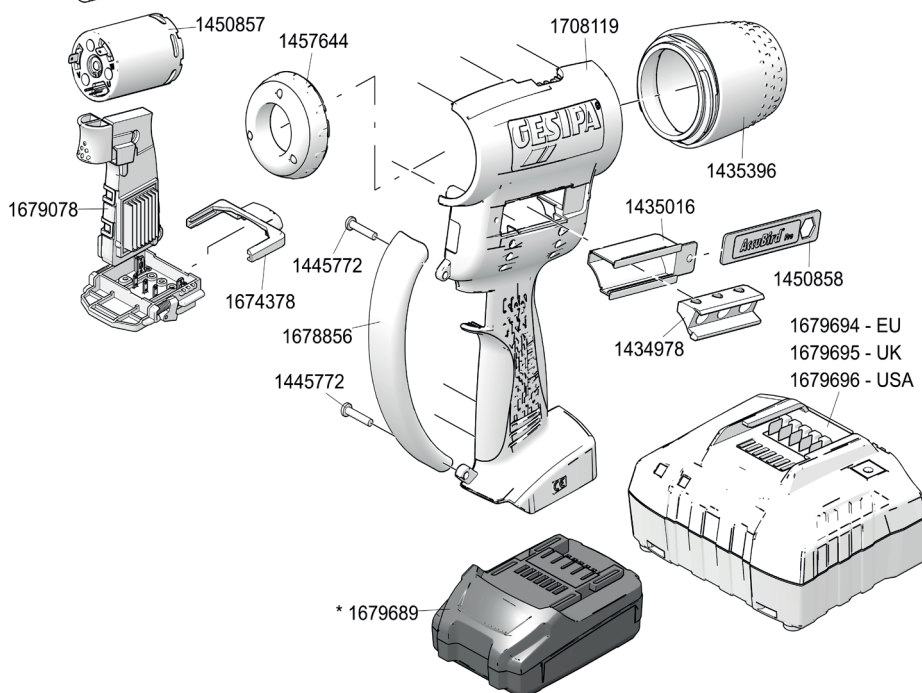


BATTERY POWERED BLIND RIVETING TOOLS

AccuBird® Pro with new CAS technology - from May 2021




- * 17/20 - 1434994 (d < Ø5)
- * 17/24 - 1434955 (d < Ø5)
- * 17/27 - 1434973 (d < Ø5)
- * 17/29 - 1434974 (d < Ø5)
- * 17/32 - 1434975 (d < Ø5)
- * 17/36 - 1434977 (d > Ø5)
- * 17/40 - 1434999 (d > Ø5)




* Wearing parts

BATTERY POWERED BLIND RIVETING TOOLS


AccuBird® Pro with new CAS technology - from May 2021

No.	
143 4874*	Tube
143 4955*	Nosepiece 17/24
143 4962	Washer
143 4967	Washer
143 4970	Sintered metal roller
143 4973*	Nosepiece 17/27
143 4974*	Nosepiece 17/29
143 4975*	Nosepiece 17/32
143 4978	Magazine insert
143 5016	Nosepiece magazine
143 5017	Hanger
143 5385	Pin
143 5392*	Jaw Housing
143 5393*	Channel tube
143 5396	Spent mandrel container, complete
143 5397	Bearing cage, complete
143 5398	Bearing, complete
143 5406	Ball screw drive
143 5408	Plate
143 5412	Spring
143 5448*	Jaw Pusher
143 5449	Pinion shaft
143 5568*	Jaws (3-part)
143 6003	Steel head sleeve
144 5763	Sintered-metal bushing

No.	
144 5772	Screw, long
144 5790	Lock washer
144 5988	Screw
144 5989	Screw
144 5990	Screw
144 6012*	O ring
145 0817	Magnet
145 0857	Motor complete
145 0858	Key AccuBird® Pro complete
145 7644	Light, complete
152 0557	Adapter
156 7794	Cable duct
167 4373*	Battery 2.0 Ah
167 4378	Locking slider
167 8855	Housing
167 8856	Tool bar
167 9078	E control
168 0454	Drive unit

* Wearing parts



 You will find detailed nosepiece allocation tables from page 134.
You will find spare part kits from page 371.