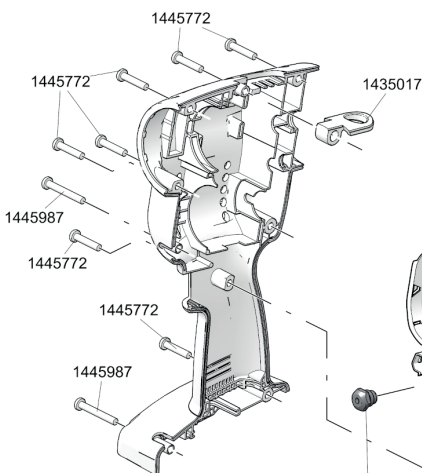
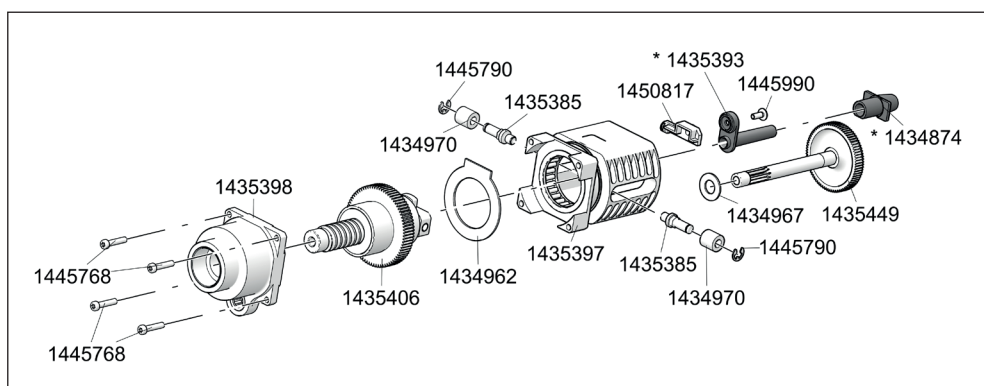
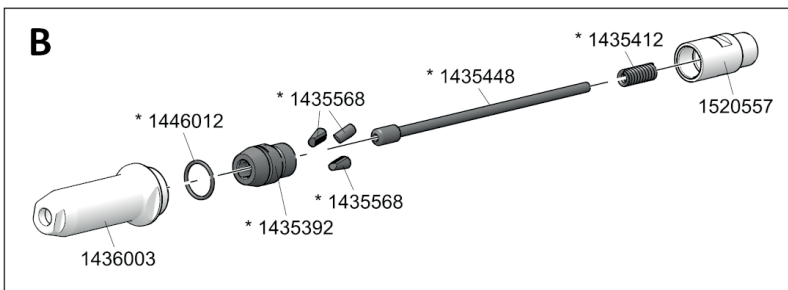
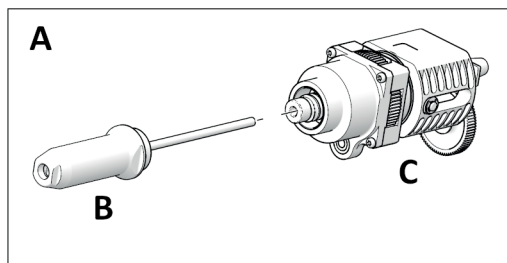
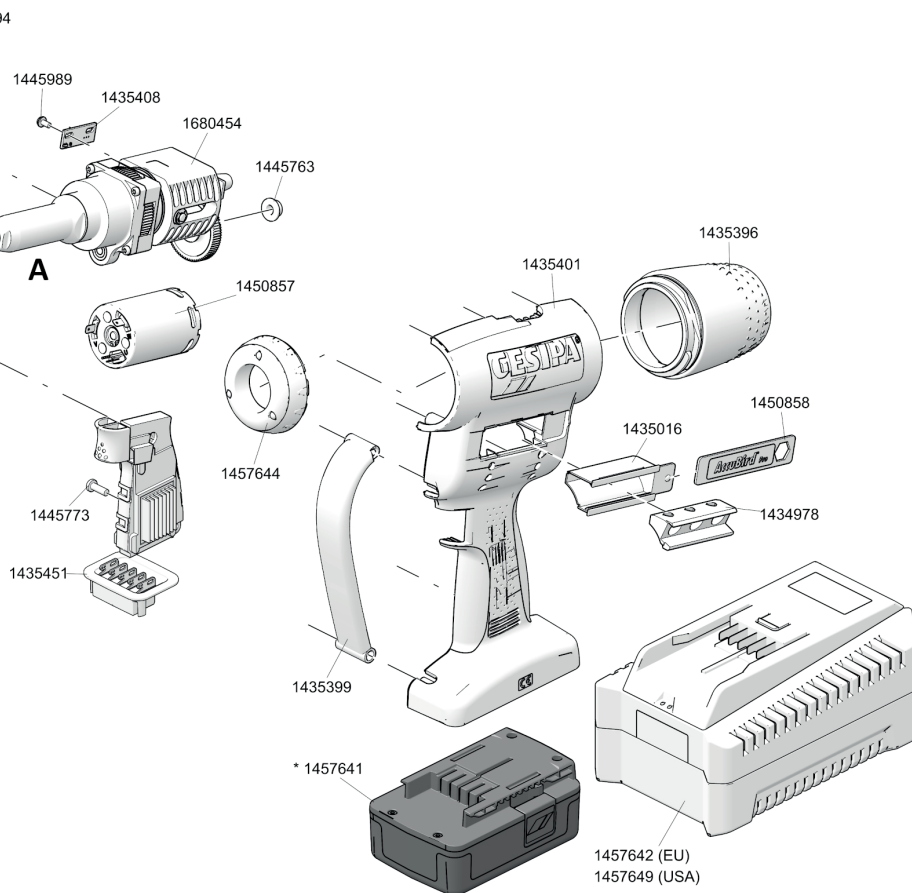


BATTERY POWERED BLIND RIVETING TOOLS

AccuBird® Pro - until April 2021



- * 17/24 - 1434955
- * 17/27 - 1434973
- * 17/29 - 1434974
- * 17/32 - 1434975




* Wearing parts

BATTERY POWERED BLIND RIVETING TOOLS

AccuBird® Pro - until April 2021

No.	
143 4874*	Tube
143 4955*	Nosepiece 17/24
143 4962	Washer
143 4967	Washer
143 4970	Sintered metal roller
143 4973*	Nosepiece 17/27
143 4974*	Nosepiece 17/29
143 4975*	Nosepiece 17/32
143 4978	Magazine insert
143 5016	Nosepiece magazine
143 5017	Hanger
143 5385	Pin
143 5392*	Jaw housing
143 5393*	Channel tube
143 5396	Spent mandrel container, complete
143 5397	Bearing cage, complete
143 5398	Bearing, complete
143 5399	Tool bar
143 5401	Housing, complete
143 5406	Ball screw drive
143 5408	Plate
143 5412	Spring
143 5448*	Jaw pusher

No.	
143 5449	Pinion shaft
143 5451	Control
143 5568*	Jaws (3-part)
143 6003	Steel head sleeve
144 5763	Sintered-metal bushing
144 5772	Screw, long
144 5773	Screw, short
144 5790	Lock washer
144 5987	Screw
144 5768	Screw
144 5989	Screw
144 5990	Screw
144 6012*	O-ring
145 0817	Magnet
145 0857	Motor, complete
145 0858	Key AccuBird® Pro complete
145 7641*	Battery - while stocks last
145 7642	Charger (EU) - while stocks last
145 7644	Light, complete
145 7649	Charger (USA) - while stocks last
152 0557	Adapter
156 7794	Cable duct
168 0454	Drive unit, complete

* Wearing parts



You will find detailed nosepiece allocation tables from page 134.
You will find spare part kits from page 371.